



ELLIPTA STORAGE BUILDINGS

Heavy-duty construction
for heavy-duty service.



Available in kit form for fast, easy assembly or pre-assembled and installed on your pad.

CPS Ellipta Storage Buildings

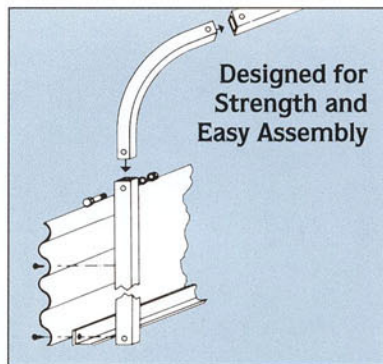
The CPS Ellipta fills the void between small metal garden sheds and large steel frame buildings. It provides secure storage for tools and hardware, maintenance equipment, fuel tanks, hazardous chemicals, fertilizers, tractors, cars, boats, trailers and more.

Computer engineered for strength and durability, the Ellipta will stay standing against the strongest winds and heaviest snow falls.

Every Ellipta is supported by a steel frame of interconnecting 1-1/4" square structural tubing. Siding is 28 gauge, hot dipped, ribbed steel in bright galvanized finish or your choice of several colours.

The Ellipta is available in either knocked down kit form or a new pre-assembled version. Sizes range from 10', 12' to 15' wide and 12' to 42' long in increments of 3 feet. Eave height is 7'4" and ridge height, 9 feet. An easy to operate, steel roll-up door is standard with all Ellipta buildings. See our spec sheet for complete details and prices.

Choose from bright galvanized finish or 5 standard colours.



Pre-assembled Ellipta ready to install on your pad.



Special Ellipta valve shelter, one of several built by CPS for TransCanada Pipelines.



Five unit storage complex for Bell Canada, Toronto, Ont.



Steel roll-up door with baked on brown enamel finish. Keyed lock and weather-stripping included.



Hazardous materials storage building with two roll-up doors and open grate steel floor with reservoir for accidental spillage.

CANADA'S STRENGTH IN PORTABLE STRUCTURES



Canadian Portable Structures

4400 Corporate Drive
Burlington, Ontario, Canada L7L 5R3
Phone: (905) 335-5500 Fax: (905) 335-1492
1-800-526-4CPS (4277)
Internet address: <http://www.cdnportable.com>
E-mail: info@cdnportable.com