

SMOKE SHELTERS



Canadian Portable Structures
Contain Protect Shelter



PRODUCT SPECIFICATIONS

Basic modular panelized shelter includes roof and walls and is manufactured ready to install on a surface prepared by others. Shelter is designed for installation on a concrete slab or optional floor module.

Framing

- *Standard shelter height is 7' 6"*
- *Panelized non-combustible extruded aluminum members.*
- *Clear satin coat anodized frame finish.*
- *Painted aluminum wall panels.*

Glazing

- *All glass is 5 mm clear safety glass.*

Roof

- *6" roof fascia. 8 oz translucent Fibreglass roof deck.
Roof has 6" overhang on all sides.*

AVAILABLE OPTIONS

Commercial doors

Benches

Site installation

Black or bronze anodized frame.

Crating for common carrier.

Special glazing

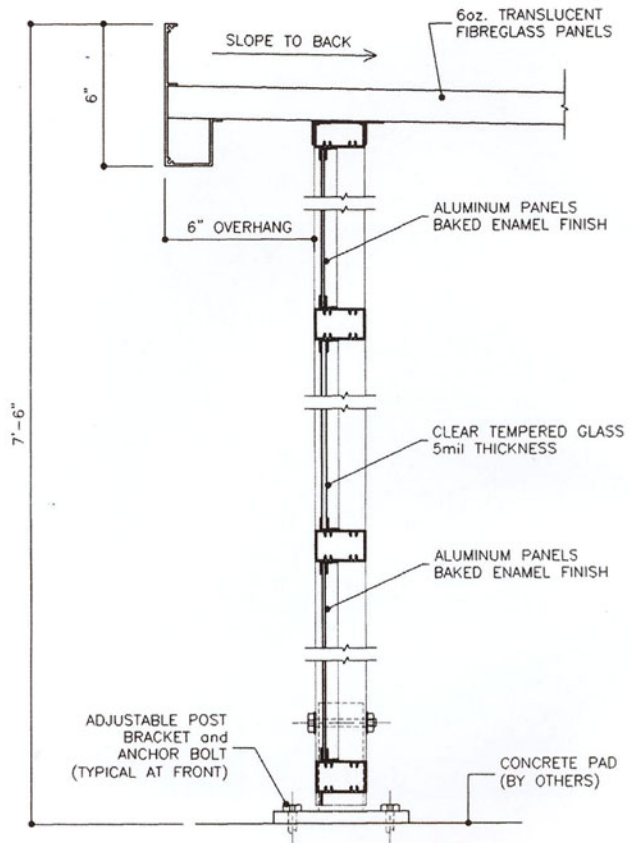
Electrical package

Customized Sizes

Floor

106" ht.

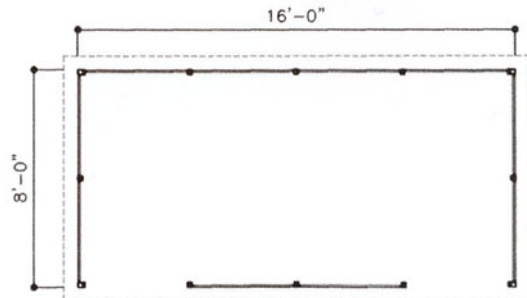
Designed to provide an exterior environment that will provide basic protection from wind, rain, sleet and snow. Shelters can be supplied in a modular kit form for easy installation by your own forces or site erected by a factory installation crew on your prepared concrete base. CPS Smoke Shelters are available with a wide range of user adapted comfort options including; benches, doors, floors, and complete electrical systems consisting of lights, heat, ventilation and electrical disconnect panels. All components are easy to clean, vandal resistant, and have a long maintenance free life.



SECTION

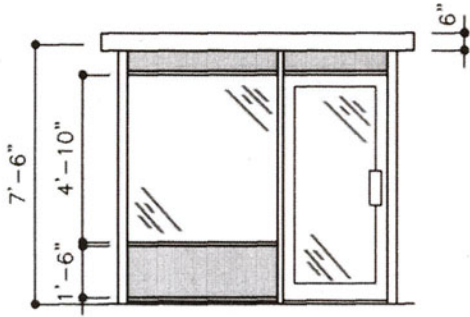
STANDARD SIZES

- | | |
|--------------|--------------|
| 4 ft x 8 ft | 4 ft x 12 ft |
| 6 ft x 8 ft | 6 ft x 12 ft |
| 8 ft x 8 ft | 8 ft x 12 ft |
| 8 ft x 16 ft | |

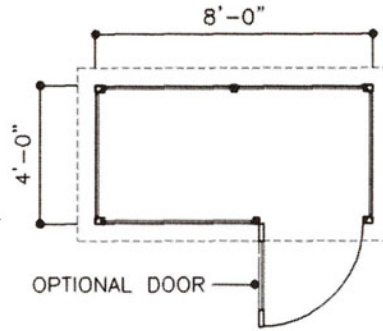


FLOOR PLAN

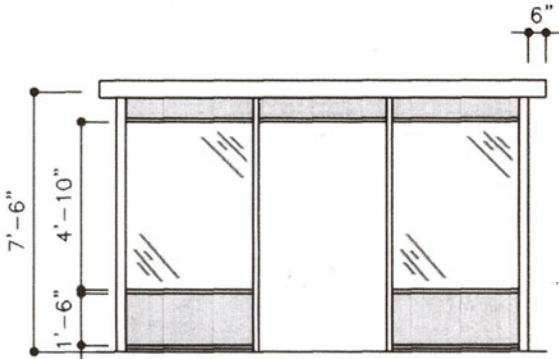
Custom sizes available on request



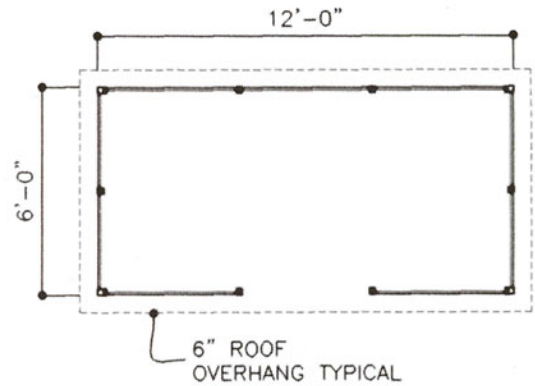
ELEVATION



FLOOR PLAN



ELEVATION



FLOOR PLAN



Canadian Portable Structures
Contain Protect Shelter